

Model 20MVL

VERTICAL PERSONNEL LIFTS



MORE ECONOMIC

- Electric drive for zero emissions and near-silent running indoors.

MORE PRODUCTIVE

- Boost efficiency with direct electric drive.

MORE ACCESS

- Compact dimensions mean easier access to and within confined spaces.

SMART DESIGN

- Outstanding manoeuvrability from point and go steer and drive system.

Standard Features

- 0.66 m x 1.25 m (W x L) Slide bar entry extendable platform
- Quick-change platform mounts
- Safety interlocked controls
- Point & Go® fully proportional drive/steer single joystick control
- Joystick enable for lift and drive
- Variable speed elevation control
- Load sensing system
- Lanyard attachment anchor
- Automatic 5 hour battery charger
- On-board diagnostics
- Automatic power-off battery saver control
- Battery discharge indicator (located on platform and base)
- Direct electric two wheel drive
- Heavy duty planetary gear hubs
- Non mark tyres and casters
- Brake release
- AC power cable to platform
- Low maintenance anodised aluminium mast
- Pothole Protection System (PHP)
- Manual Descent
- Tilt light and alarm
- Key lock main power switch
- Hour meter
- Transportation tie-down lugs
- Fork truck pockets
- Horn
- Amber strobe light
- Batteries (2 x Sealed 12V,100 A/Hr maintenance-free AGM batteries)

Accessories & Options

- 0.71 m x 1.22 m stock picking platform c/w fold back hand rails
- 0.71m x 1.22m stock picking platform c/w fixed hand rails
- Multi-position hand rails
- Narrow 0.56 m x 0.64 m slide bar, front entry platform
- 0.69 m x 0.58 m side entry platform c/w 0.70 m x 0.64 m folding material tray
- Programmable 4 digit security lock
- Lifting eye for crane hook
- 4 x AGM maintenance free batteries
- Tool tray (0.20 m x 0.46 m x 0.13 m)
- Fluorescent tube caddy
- Synthetic Biodegradable Hydraulic Oil
- Euro Plug & Socket
- Special paint colour



Model 20MVL

VERTICAL PERSONNEL LIFTS

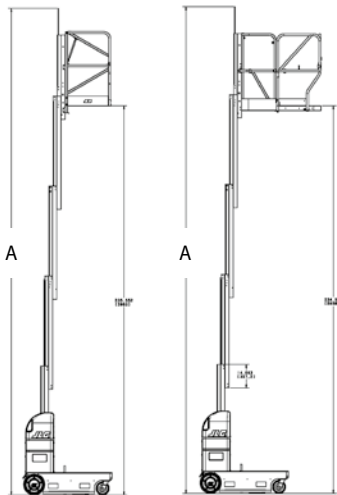
Performance

- Max Drive Height 5.98 m
- Material Tray Capacity 45 kg
- Platform Capacity - Stockpicking Platform 160 kg
- Platform Size - Side Entry with Material Tray 0.69 m x 0.58 m
- Material Tray Size (W x L) 0.69 m x 0.58 m
 - A. Working Height 7.98 m
 - B. Stowed Height 1.98 m
 - C. Platform Entry Height 0.46 m
 - D. Vehicle Length
 - Extension Platform Retracted 1.36 m
 - Stock Picking Platform 1.88 m
 - E. Overall Width 0.75 m
- Platform Size - Stockpicking Platform (W x L) 0.71 m x 1.22 m
- Platform Size - Narrow Platform (W x L) 0.56 m x 0.64 m
- Machine weight
 - All Other Platforms ¹ 1,060 kg
 - Extension Platform ¹ 1,090 kg
 - Stock Picking Platform ¹ 1,110 kg
- Max. Ground Bearing Pressure Front Casters 19.50 kg/cm²
- Max. Ground Bearing Pressure Rear Wheels 9.21 kg/cm²
- Drive Maximum Speed - Platform Lowered 5.4 km/h
- Drive Maximum Speed - Platform Elevated 0.8 km/h
- Turning Radius Zero
- Gradeability 20%
- Ground Clearance 5 cm
- Wheel Diameter - Rear Drive & Steer Wheels 32 cm x 10 cm
- Wheel Diameter - Front Castor Wheels 20 cm x 6 cm
- Batteries Maintenance-Free 100 A/hr AGM (x 2)

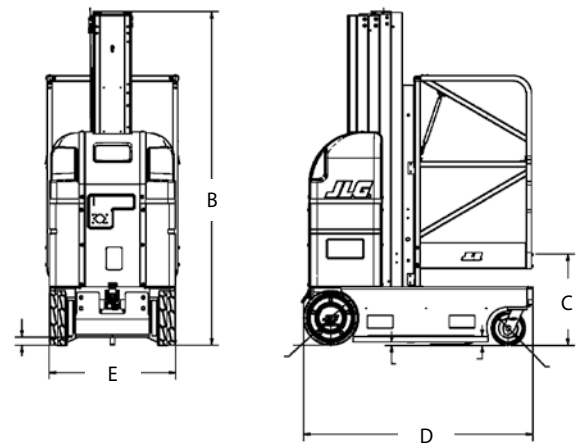
¹ Certain options or country standards may increase weight and/or dimensions.



Reach Diagram



Dimensions



IMPORTANT

JLG is continually researching and developing products and reserves the right to make modifications without prior notice. All data in this document is indicative. Certain options or country standards will increase weight. Specifications may change to meet country standards or with the addition of optional equipment.

Due to continuous product improvements, JLG Industries reserves the right to make specification and/or equipment changes without prior notification.



JLG EMEA BV

Polaris Avenue 63
2132 JH Hoofddorp
The Netherlands
Tel: +31 (0)23 565 5665
Fax: +31 (0)23 557 3750
www.jlg.com

An Oshkosh Corporation Company