

# Model ES1932

SCISSOR LIFTS



## MORE ECONOMIC

- Electric power for zero emissions and near-silent running indoors.

## MORE PRODUCTIVE

- Boost efficiency with direct electric drive.

## MORE ACCESS

- Get into more places with compact dimensions and precise control system.
- Suitable for indoor and outdoor use to meet all your needs.

## SMART DESIGN

- Enjoy industry leading upcycles so you can work longer with higher productivity.
- Standard USB charger and phone holster improve the operator experience.

## Standard Features

- 0.86 m roll-out deck extension
- Fold Down Handrails, QuickFold
- Swing-out gate
- Removable platform console box
- Lanyard attach points
- Full proportional drive joystick control with integral thumb steer switch
- Proportional lift/lower speed control
- Joystick enable for lift and drive
- Load sensing system
- USB Charger & Phone Holder
- 4 x 6V 220 A/hr Deep Cycle Batteries
- Programmable "Personality" settings
- On-board self-diagnostic testing
- Swing-out battery/electrical compartment doors
- 27 amp automatic battery charger
- Dual motor direct electric front wheel drive & steer
- Dual wheel automatic brakes
- Emergency brake release
- Active Pothole protection system
- AC cable to platform
- Battery condition indicator
- Hour meter
- Lubrication free scissor arm bushings
- Manual descent
- Horn
- Automatic positive traction
- Lifting lugs
- Greaseless Kingpin Joints
- Slope alarm and light
- Tie down lugs
- Fork lift pockets

## Standard Specifications

- |                                |                     |
|--------------------------------|---------------------|
| • Drive Motors                 | 24V Electric 1.1 kW |
| • Hydraulic Pump Motor         | 24V DC/ 2.2 kW      |
| • Batteries                    | 4 x 6V, 220Ah       |
| • Charger (120/240V – 50/60HZ) | 27 Amp Automatic    |
| • Hydraulic System             | 7 L                 |
| • Tyres (Non-Marking Solid)    | 323 x 100           |
| • Brakes                       | Electric/Friction   |

## Accessories & Options

- 6V- 220A/hr maintenance free AGM batteries
- Clean Guard
- SkySense Level 1
- All motion alarm
- Descent alarm
- Panel Carrier
- Inboard pipe racks
- Amber beacon light
- Plugs & Sockets
- ClearSky Locate
- ClearSky CAN
- Operator access control
- Mobile Control System\*
- Anti vandalism package
- MDI (Ground)



\* Pending CE certification

# Model ES1932

## SCISSOR LIFTS

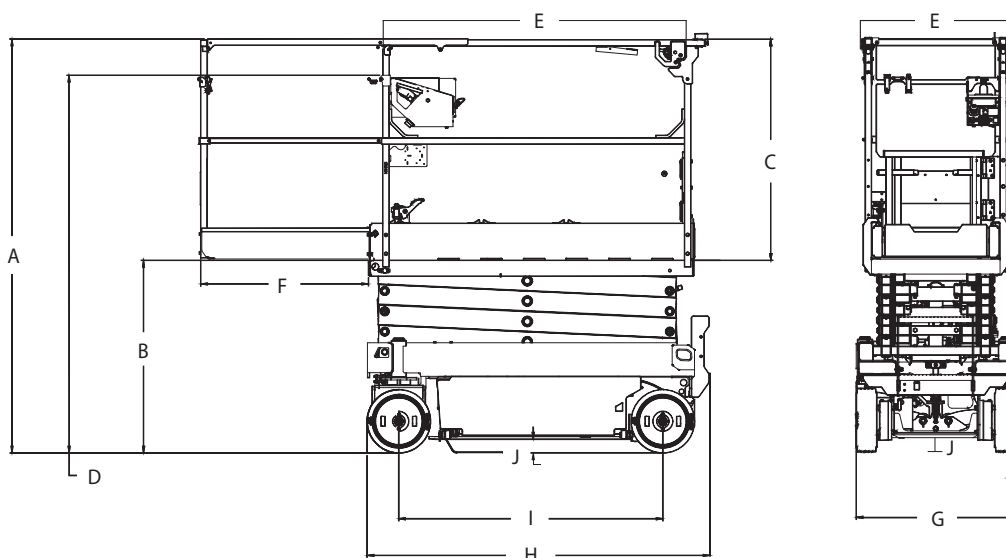
### Performance

• Working Height	7.8 m
• Platform Height - Elevated	5.8 m
A. Stowed Height	2.1 m
B. Platform Height - Lowered	0.98 m
C. Platform Railing Height	1.1 m
D. Stowed Height (Rails Folded)	1.63 m **
E. Platform Size (W x L)	0.64 m x 1.59 m
F. Deck Extension	0.86 m
G. Overall Width	0.81 m
H. Overall Length	1.74 m ****
I. Wheelbase	1.35 m
J. Ground Clearance	0.07 m
• Platform Capacity - Indoor	👤 230 kg
• Platform Capacity - Outdoor	👤 230 kg
• Capacity on Optional Deck Extension	120 kg
• Lift/Lower Time	20/27 sec. ***
• Maximum Drive Height	Fully Elevated
• Machine weight *	1,565 kg
• Maximum Ground Bearing Pressure	8.01 kg/cm <sup>2</sup>
• Drive Speed - Lowered	4.8 km/h
• Drive Speed - Elevated	0.8 km/h
• Gradeability	25%
• Turning Radius - Inside	Zero
• Turning Radius - Outside	1.69 m



\* Certain options or country standards may increase weight and/or dimensions.  
 \*\* Folding rails standard on all ES models in CE spec.  
 \*\*\* Without load  
 \*\*\*\* Incl ladder

### Dimensions



### IMPORTANT

JLG is continually researching and developing products and reserves the right to make modifications without prior notice. All data in this document is indicative. Certain options or country standards will increase weight. Specifications may change to meet country standards or with the addition of optional equipment.

Due to continuous product improvements, JLG Industries reserves the right to make specification and/or equipment changes without prior notification.



### JLG EMEA BV

Polaris Avenue 63  
 2132 JH Hoofddorp  
 The Netherlands  
 Tel.: +31 (0)23 565 5665  
[www.jlg.com](http://www.jlg.com)

An Oshkosh Corporation Company